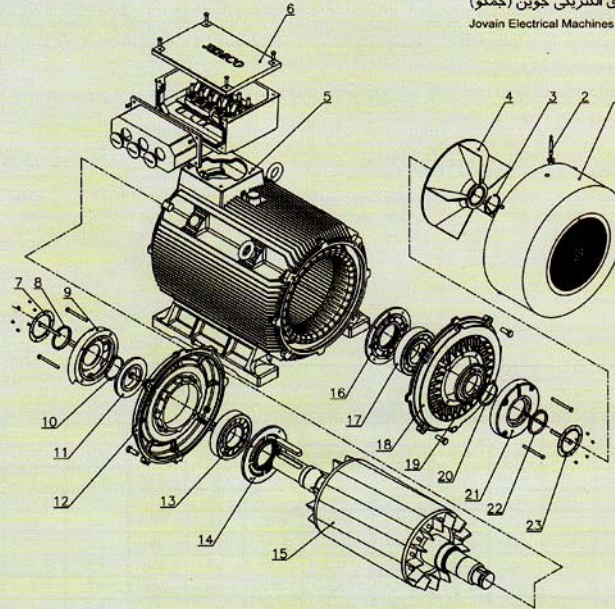


TYPICAL EXPLODED VIEW OF CAST IRON MOTORS.



شرکت صنایع ماشینهای الکتریکی جویین (جمکو)
Jovain Electrical Machines Industries Co.(JEMCO)

Jovain Electrical Machines Industries Co.(JEMCO)



- | | | |
|--------------------------------------|--------------------------------|--------------------------------|
| 1-Outside fan housing | 9-Bearing cover outside(front) | 17-Ball bearing |
| 2-Inlet lubricating channel | 10-Retaining ring | 18-End shield(back) |
| 3-Retaining ring | 11-Bearing grease cover(front) | 19-Bearing grease cover(back) |
| 4-Fan | 12-End shield(front) | 20-Retaining ring |
| 5-Stator frame with core and winding | 13-Ball bearing | 21-Bearing cover outside(back) |
| 6-Terminal box | 14-Bearing cover inside(front) | 22-V-ring |
| 7-Cover plate(front) | 15-Rotor | 23-Cover pate(back) |
| 8-V-ring | 16-Bearing cover inside(back) | |

JEMCO-PRODUCER & PROVIDER OF ELECTRICAL MOTORS



0.12 KW UP TO 10 MW

Electrical
Machines
Industries Co.
(JEMCO)

جمکوسازنده و عرضه کننده انواع الکتروموتور
از ۱۲. کیلووات تا ۱۰ مگاوات

TYPE YD - LOW VOLTAGE (380V) SQUIRREL CAGE MOTORS

TECHNICAL DATA



شرکت صنایع ماشینهای الکتریکی جوبین (جمکو)
Jovain Electrical Machines Industries Co.(JEMCO)

Jovain Electrical Machines Industries Co.(JEMCO)

TECHNICAL DATA

Type YD-LOW VOLTAGE(380) squirrel-cage motors - IM B3, Degree of protection IP 55, 50Hz
Selection and ordering data

Type No.	Rated output	Frame size	Moment of inertia J	Performance at rated output			Rated current at 380 V	Rated torque	Locked-rotor torque	Locked-rotor current	Break-down torque	Weight approx
				Rated speed	Efficiency η	Power factor Cos ϕ						
for direct-on-line starting as multiples of												
	KW	mm	Kg m ²	rev/min	%	A	Nm	rated torque	rated current	rated torque	kg	
3000 rev/min - 2pole												
YD1162-2A1	15	160M	0.04	2932	89.7	0.89	29	49	2.2	7	2.8	115
YD1161-2A1	18.5	160L	0.05	2936	89.5	0.88	36	60	2.2	7	2.8	130
YD1181-2A1	22	180M	0.07	2940	89	0.88	43	71	2.2	7	2.8	171
YD1201-2A1	30	200L	0.135	2957	91	0.89	56	97	2.2	7	2.8	210
YD1202-2A1	37	200L	0.152	2955	91.5	0.88	70	120	2.2	7	2.8	223
YD1221-2A1	45	225M	0.229	2969	91.5	0.89	84	145	2.2	7	2.8	284
YD1251-2A1	55	250M	0.442	2970	92.2	0.88	103	177	2.2	7	2.8	379
YD1281-2A1	75	280S	0.769	2970	92	0.88	141	241	2.2	7	2.8	480
YD1282-2A1	90	280M	0.956	2981	92.5	0.89	166	288	2.2	7	2.8	600
1500 rev/min - 4pole												
YD1161-4A1	15	160L	0.052	1454	89.5	0.84	30	99	2.2	7	2.8	135
YD1181-4A1	18.5	180M	0.124	1473	91.0	0.88	35	120	2.2	7	2.8	180
YD1182-4A1	22	180L	0.138	1470	91.5	0.86	42	143	2.2	7	2.8	182
YD1201-4A1	30	200L	0.227	1468	92.5	0.87	57	195	2.2	7	2.8	260
YD1221-4A1	37	225S	0.457	1483	92.0	0.88	69	238	2.2	7	2.8	315
YD1222-4A1	45	225M	0.54	1481	92.5	0.88	84	290	2.2	7	2.8	340
YD1251-4A1	55	250M	0.821	1480	93.0	0.88	102	355	2.2	7	2.8	396
YD1281-4A1	75	280S	1.352	1486	93.5	0.89	137	482	2.2	7	2.8	560
YD1282-4A1	90	280M	1.522	1489	94.0	0.89	163	577	2.2	7	2.8	605
1000 rev/min - 6pole												
YD1181-6A1	15	180L	0.188	970	90.0	0.80	32	148	2.2	7	2.8	180
YD1201-6A1	18.5	200L	0.27	978	90.7	0.84	37	181	2.2	7	2.8	238
YD1202-6A1	22	200L	0.296	977	91.0	0.83	44	215	2.2	7	2.8	252
YD1221-6A1	30	225M	0.543	983	91.3	0.84	59	291	2.2	7	2.8	313
YD1251-6A1	37	250M	0.925	977	91.5	0.88	70	362	2.2	7	2.8	412
YD1281-6A1	45	280S	1.22	987	92.3	0.85	87	435	2.2	7	2.8	535
YD1282-6A1	55	280M	1.427	987	93.0	0.87	103	532	2.2	7	2.8	590

Jovain

Electrical Machines Industries Co.
(JEMCO)

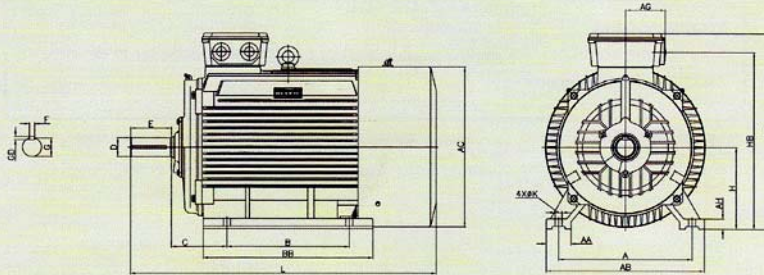
TYPE YD - LOW VOLTAGE (380V) SQUIRREL CAGE MOTORS

Degree of protection : IP 55, 50Hz, IM B3



شرکت صنایع ماشینهای الکتریکی جوبین (جمکو)
Jovain Electrical Machines Industries Co. (JEMCO)

Jovain Electrical Machines Industries Co. (JEMCO)



Type YD-SQUIRREL -CAGE MOTORS - IM B3
Degree of protection IP 55, 50Hz

For motor				Dimension symbols to IEC 72																			
Frame size	Type NO.	Power Kw	No of poles	H	A	B	C	D	E	F	GA	K	AA	AB	BB	AC	AG	HA	HD	L	HB		
160M	YD1162-2A1	15	2	160	254	210	108	42	110	12	45	15	68	317	282	317	95	21	419	652	389		
	YD1161-2A1	18.5	2			254									306								
	YD1161-4A1	15	4																				
180M	YD1181-2A0	22	2	180	279	241	121	48	110	14	51.5	15	70	349	311	355	95	22	454	662.5	404		
	YD1181-4A0	18.5	4																				
	YD1182-4A0	22	4																				
180L	YD1181-6A0	15	6	180	279	279	121	48	110	14	51.5	15	70	349	349	355	95	22	454	700.5	404		
	YD1201-2A0	30	2																				
	YD1202-2A0	37	2																				
200L	YD1201-4A0	30	4	200	318	305	133	55	110	16	59	19	70	388	368	397	116	25	504	762	449		
	YD1201-6A0	18.5	6																				
	YD1202-6A0	22	6																				
225S	YD1221-4A0	37	4	225	356	286	149	60	140	18	64	19	75	431	368	446	116	28	552	812	497		
	YD1221-2A0	45	2																				
	YD1222-4A0	45	4			311									60							140	18
225M	YD1221-6A0	30	6	225	356	311	149	60	140	18	64	19	75	431	393	446	116	28	552	837	497		
	YD1251-2A0	55	2																				
	YD1251-4A0	55	4																				
250M	YD1251-6A0	37	6	250	406	349	168	65	140	18	69	24	80	484	455	485	133	30	610	916	546		
	YD1281-2A0	75	2																				
	YD1281-4A0	75	4																				
280S	YD1281-6A0	45	6	280	457	368	190	65	140	18	69	24	85	542	525	547	133	35	669	991	605		
	YD1282-2A0	90	2																				
	YD1282-4A0	90	4																				
280M	YD1282-6A0	55	6	280	457	368	190	65	140	18	69	24	85	542	581	547	133	35	669	1047	605		
	YD1282-4A0	90	4																				



Electrical
Machines
Industries Co.
(JEMCO)



TYPE YD - LOW VOLTAGE (380V) SQUIRREL CAGE MOTORS



شرکت صنایع ماشینهای الکتریکی جوبین (جمکو)
Jovain Electrical Machines Industries Co.(JEMCO)

Jovain Electrical Machines Industries Co.(JEMCO)

TECHNICAL DATA

Type YD-LOW VOLTAGE(380) squirrel-cage motors - IM B35, Degree of protection IP 55, 50Hz
Selection and ordering data

Type No.	Rated output	Frame size	Moment of inertia J	Performance at rated output			Rated current at 380 V	Rated torque	Locked-rotor torque	Locked-rotor current	Break-down torque	Weight approx
				Rated speed	Efficiency η	Power factor $\cos\phi$						
				rev/min	%	A	Nm	rated torque	rated current	rated torque	kg	
3000 rev/min - 2pole												
YD1162-2A1	15	160M	0.04	2932	89.7	0.89	29	49	2.2	7	2.8	120
YD1161-2A1	18.5	160L	0.05	2936	89.5	0.88	36	60	2.2	7	2.8	138
YD1181-2A1	22	180M	0.07	2940	89	0.88	43	71	2.2	7	2.8	187
YD1201-2A1	30	200L	0.135	2957	91	0.89	56	97	2.2	7	2.8	235
YD1202-2A1	37	200L	0.152	2955	91.5	0.88	70	120	2.2	7	2.8	240
YD1221-2A1	45	225M	0.229	2969	91.5	0.89	84	145	2.2	7	2.8	305
YD1251-2A1	55	250M	0.442	2970	92.2	0.88	103	177	2.2	7	2.8	407
YD1281-2A1	75	280S	0.769	2970	92	0.88	141	241	2.2	7	2.8	505
YD1282-2A1	90	280M	0.956	2981	92.5	0.89	166	288	2.2	7	2.8	625
1500 rev/min - 4pole												
YD1161-4A1	15	160L	0.052	1454	89.5	0.84	30	99	2.2	7	2.8	142
YD1181-4A1	18.5	180M	0.124	1473	91.0	0.88	35	120	2.2	7	2.8	189
YD1182-4A1	22	180L	0.138	1470	91.5	0.86	42	143	2.2	7	2.8	190
YD1201-4A1	30	200L	0.227	1468	92.5	0.87	57	195	2.2	7	2.8	282
YD1221-4A1	37	225S	0.457	1483	92.0	0.88	69	238	2.2	7	2.8	327
YD1222-4A1	45	225M	0.54	1481	92.5	0.88	84	290	2.2	7	2.8	360
YD1251-4A1	55	250M	0.821	1480	93.0	0.88	102	355	2.2	7	2.8	425
YD1281-4A1	75	280S	1.352	1486	93.5	0.89	137	482	2.2	7	2.8	600
YD1282-4A1	90	280M	1.522	1489	94.0	0.89	163	577	2.2	7	2.8	630
1000 rev/min - 6pole												
YD1181-6A1	15	180L	0.188	970	90.0	0.80	32	148	2.2	7	2.8	200
YD1201-6A1	18.5	200L	0.27	978	90.7	0.84	37	181	2.2	7	2.8	258
YD1202-6A1	22	200L	0.296	977	91.0	0.83	44	215	2.2	7	2.8	270
YD1221-6A1	30	225M	0.543	983	91.3	0.84	59	291	2.2	7	2.8	337
YD1251-6A1	37	250M	0.925	977	91.5	0.88	70	362	2.2	7	2.8	425
YD1281-6A1	45	280S	1.22	987	92.3	0.85	87	435	2.2	7	2.8	550
YD1282-6A1	55	280M	1.427	987	93.0	0.87	103	532	2.2	7	2.8	620



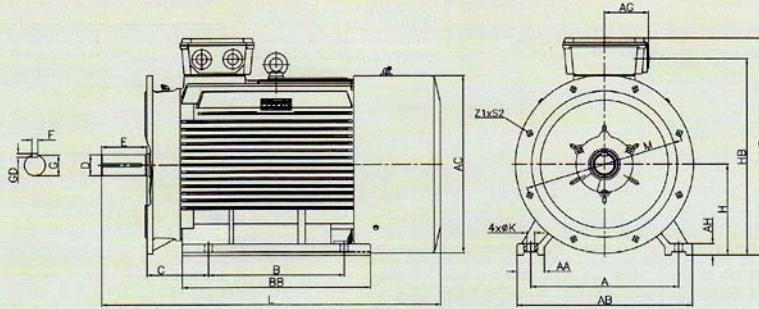
TYPE YD - LOW VOLTAGE (380V) SQUIRREL CAGE MOTORS

Degree of protection : IP 55, 50Hz, IM B35



شرکت صنایع ماشینهای الکتریکی جویین (جمکو)
Jovain Electrical Machines Industries Co.(JEMCO)

Jovain Electrical Machines Industries Co.(JEMCO)



Type YD-SQUIRREL -CAGE MOTORS - IM B35
Degree of protection IP 55, 50Hz

For motor		Dimension symbols to IEC 72																											
Frame size	Type NO.	Power Kw	No of poles	H	A	B	C	D	E	F	GA	K	AA	AB	BB	AC	AG	HA	HD	L	HB	P	N	LA	T	LE	M	Z	S
160M	YD1162-2A1	15	2			210																							
	YD1161-2A1	18.5	2	160	254	254	108	42	110	12	45	15	68	317	262	317	95	21	419	652	369	350	250	13	5	110	300	4	18
	YD1161-4A1	15	4																										
180M	YD1181-2A1	22	2			241																							
	YD1181-4A1	18.5	4	180	279	279	121	48	110	14	51.5	15	70	349	311	355	95	22	454	662.5	404	350	250	13	5	110	300	4	18
	YD1181-6A1	15	6																										
200L	YD1201-2A1	30	2																										
	YD1202-2A1	37	2																										
	YD1201-4A1	30	4	200	318	305	133	55	110	16	59	19	70	388	308	397	110	25	504	762	449	400	300	15	5	110	350	4	18
	YD1201-6A1	18.5	6																										
225S	YD1221-4A1	37	4			286		60	140	18	64									812									
	YD1221-2A1	45	2	225	356	311	149	55	110	16	59	19	75	431	393	448	118	28	552	807	497	450	350	18	5	140	400	8	18
	YD1221-6A1	30	6					60	140	18	64									837									
250M	YD1251-2A0	55	2					60			64																		
	YD1251-4A1	55	4	250	406	349	188	65	140	18	69	24	80	484	405	485	133	30	610	916	540	550	450	18	5	140	500	8	18
	YD1251-6A1	37	6					65			69																		
	YD1281-2A1	75	2					65	18	69																			
280S	YD1281-4A1	75	4			366		75	20	79.5										901									
	YD1281-6A1	45	6	280	457	190	140	65	140	18	69	24	85	542	426	547	133	35	669	1005	550	450	18	5	140	500	8	18	
	YD1282-2A1	90	2					65	18	69																			
280M	YD1282-4A1	90	4			419		75	20	79.5																			



Electrical Machines Industries Co. (JEMCO)



TYPE YU - LOW VOLTAGE (380V) SQUIRREL CAGE MOTORS



شرکت صنایع ماشینهای الکتریکی جوبین (جمکو)
Jovain Electrical Machines Industries Co.(JEMCO)

Jovain Electrical Machines Industries Co.(JEMCO)

Degree of protection : IP 55, 50Hz, IM B3 , Insulation Class:F												
Type No.	Rated output	Frame size	Moment of Inertia J	Performance at rated output				Locked-rotor torque	Locked-rotor current	Break-down torque	Weight approx	
				Rated speed	Efficiency η	Power factor $\cos\phi$	Rated current at 380 V					Rated torque
	KW	mm	Kg m ²	rev/min	%		A	Nm	rated torque	rated current	rated torque	
3000 rev/min - 2poles												
YU1311-2A0	110	315S	1.75	2966	92.6	0.89	195	354	1.8	6.8	2.2	1210
YU1312-2A0	132	315M	2.25	2966	93.1	0.89	231	425	1.8	6.8	2.2	1230
YU1313-2A0	160	315L	2.25	2964	93.5	0.89	277	515	1.8	6.8	2.2	1260
YU1314-2A0	185	315L	2.50	2967	93.7	0.89	372	644	1.8	6.8	2.2	1310
YU1315-2A0	200	315L	2.50	2967	93.7	0.89	346	644	1.8	6.8	2.2	1310
YU1351-2A0	220	355M	6.00	2990	94.2	0.89	382	705	1.2	6.8	2.2	1500
YU1352-2A0	250	355M	6.75	2981	94.6	0.89	426	801	1.2	6.8	2.2	1580
YU1353-2A0	280	355L	6.75	2979	94.9	0.89	478	898	1.2	6.8	2.2	1610
YU1354-2A0	315	355L	8.25	2978	95.2	0.89	540	1010	1.2	6.8	2.2	1650
YU1401-2A0	355	400L	7.25	2979	95.3	0.89	610	1138	1.2	7.0	1.8	2110
YU1402-2A0	400	400L	8.00	2975	95.4	0.89	685	1284	1.2	7.0	1.8	2190
YU1403-2A0	450	400L	8.25	2990	95.5	0.89	767	1442	1.2	7.0	1.8	2245
1500 rev/min - 4poles												
YU1311-4A0	110	315S	3.00	1487	93.7	0.89	197	706	1.8	6.8	2.0	1080
YU1312-4A0	132	315M	3.50	1487	94.2	0.89	235	848	1.8	6.8	2.0	1150
YU1313-4A0	160	315L	4.00	1487	94.6	0.89	284	1027	1.8	6.8	2.0	1200
YU1314-4A0	185	315L	4.50	1487	94.6	0.89	329	1284	1.8	6.8	2.0	1335
YU1315-4A0	200	315L	4.50	1487	94.6	0.89	355	1284	1.8	6.8	2.0	1350
YU1351-4A0	220	355M	6.00	1490	94.5	0.87	400	1419	1.4	6.8	2.0	1680
YU1352-4A0	250	355M	6.75	1490	94.9	0.87	453	1613	1.4	6.8	2.0	1720
YU1353-4A0	280	355L	6.75	1490	95.2	0.87	504	1807	1.4	6.8	2.0	1760
YU1354-4A0	315	355L	8.25	1484	95.4	0.9	557	2027	1.4	6.8	2.0	1800
YU1401-4A0	355	400L	14.25	1487	95.5	0.89	614	2280	1.2	6.5	1.8	2270
YU1402-4A0	400	400L	16.25	1487	95.6	0.89	690	2569	1.2	6.5	1.8	2430
YU1403-4A0	450	400L	16.75	1488	95.7	0.78	776	2888	1.2	6.5	1.8	2470
1000 rev/min - 6poles												
YU1311-6A0	75	315S	4.00	987	93.0	0.87	139	726	1.6	6.5	2.0	1060
YU1312-6A0	90	315M	4.75	987	93.3	0.87	166	871	1.6	6.5	2.0	1110
YU1313-6A0	110	315L	5.00	988	93.6	0.87	203	1063	1.6	6.5	2.0	1140
YU1314-6A0	132	315L	6.00	988	93.6	0.87	242	1276	1.6	6.5	2.0	1380
YU1351-6A0	160	355M	7.75	985	94.2	0.87	295	1551	1.3	6.5	2.0	1830
YU1352-6A0	185	355M	8.25	985	94.4	0.87	341	1939	1.3	6.5	2.0	1870
YU1353-6A0	200	355L	9.25	985	94.4	0.87	367	1939	1.3	6.5	2.0	1880
YU1354-6A0	220	355L	10.25	986	94.6	0.87	403	2131	1.3	6.5	2.0	1900
YU1401-6A0	250	400L	16.75	987	94.9	0.86	457	2419	1.3	6.5	1.8	2135
YU1402-6A0	280	400L	19.75	987	95.1	0.86	507	2709	1.3	6.5	1.8	2300
YU1403-6A0	315	400L	19.75	987	95.2	0.86	572	3048	1.3	6.5	1.8	2320

Jovain

Electrical
Machines
Industries Co.
(JEMCO)

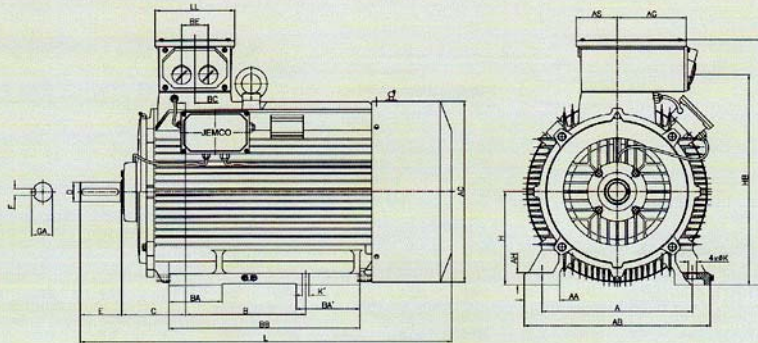
TYPE YU - LOW VOLTAGE (380V) SQUIRREL CAGE MOTORS

Degree of protection : IP 55, 50Hz, IM B3



شرکت صنایع ماشینهای الکتریکی جوبین (جعمکو)
Jovain Electrical Machines Industries Co.(JEMCO)

Jovain Electrical Machines Industries Co.(JEMCO)



Type YU-SQUIRREL CAGE MOTORS - IM B3
Degree of protection IP 55, 50Hz

For motor			Dimension symbols to IEC 72																																																					
Frame size	Type NO.	Power Kw	No of poles	A	B	C	D	E	F	GA	H	K	K'	L	LL	BE	AB	AA	AC	BB	BA	BA'	BC	AG	AS	HA	HB	HD																												
315S	YU1311-2A0	110	2	408			65	140	18	69																																														
	YU1311-4A0	110	4				80	170	22	85																			1255																											
	YU1311-6A0	75	6				80	170	22	85																			1284																											
315M	YU1312-2A0	132	2	457			65	140	18	69																																														
	YU1312-4A0	132	4				80	170	22	85																			1255																											
	YU1312-6A0	90	6				80	170	22	85																			1284																											
315L	YU1313-2A0	160	2	508	216		65	140	11	69	315	28	28																																											
	YU1313-4A0	185	4				65	140	18	76																			1255																											
	YU1313-6A0	200	6				80	170	22	85																			1284																											
	YU1314-2A0	150	2				508																																																	
	YU1314-4A0	185	4																																																	80	170	22	85	1284
355M	YU1351-2A0	220	2	560			75	140	20	79.5																																														
	YU1351-4A0	250	4				95	170	25	100																			1470																											
	YU1352-4A0	220	4				610	254																																																
	YU1351-6A0	110	6																																																	75	140	20	79.5	1470
	YU1352-6A0	185	6																																																	95	170	25	100	1500
355L	YU1353-2A0	280	2	630			75	140	20	79.5	350	35x28	28																																											
	YU1353-4A0	315	4				95	170	25	100																			1470																											
	YU1354-2A0	280	2				630																																																	
	YU1354-4A0	315	4																																																95	170	25	100	1500	
400L	YU1401-2A0	355	2	686	710	280	80	170	22	85																																														
	YU1402-2A0	400	2				80	170	22	85																			1585																											
	YU1403-2A0	450	2				686	710	280																																															
	YU1401-4A0	355	4																																																	100	210	28	100	1605
	YU1402-4A0	400	4																																																	100	210	28	100	1605
	YU1401-6A0	250	6				686	710	280																																															
	YU1402-6A0	280	6																																																	100	210	28	100	1605
YU1403-6A0	315	6	100	210	28	100	1605																																																	



Electrical Machines Industries Co. (JEMCO)



TYPE YU - LOW VOLTAGE (380V) SQUIRREL CAGE MOTORS



شرکت صنایع ماشینهای الکتریکی جوبین (جمکو)
Jovain Electrical Machines Industries Co.(JEMCO)

Jovain Electrical Machines Industries Co.(JEMCO)

Degree of protection : IP 55, 50Hz, IM B35 , Insulation Class:F												
Type No.	Rated output	Frame size	Moment of inertia J	Performance at rated output				Rated torque	Locked-rotor torque	Locked-rotor current	Break-down torque	Weight approx
				Rated speed	Efficiency η	Power factor Cos ϕ	Rated current at 380 V					
	KW	mm	Kg m ²	rev/min	%		A	Nm	rated torque	rated current	rated torque	kg
3000 rev/min - 2poles												
YU1311-2A1	110	315S	1.75	2966	92.6	0.89	195	354	1.8	6.8	2.2	1247
YU1312-2A1	132	315M	2.25	2966	93.1	0.89	231	425	1.8	6.8	2.2	1267
YU1313-2A1	160	315L	2.25	2964	93.5	0.89	277	515	1.8	6.8	2.2	1297
YU1314-2A1	185	315L	2.50	2967	93.7	0.89	372	644	1.8	6.8	2.2	1347
YU1315-2A1	200	315L	2.50	2967	93.7	0.89	346	644	1.8	6.8	2.2	1347
YU1351-2A1	220	355M	6.00	2980	94.2	0.89	382	705	1.2	6.8	2.2	1564.5
YU1352-2A1	250	355M	6.75	2981	94.6	0.89	426	801	1.2	6.8	2.2	1644.5
YU1353-2A1	280	355L	6.75	2979	94.9	0.89	478	898	1.2	6.8	2.2	1674.5
YU1354-2A1	315	355L	8.25	2978	95.2	0.89	540	1010	1.2	6.8	2.2	1714.5
YU1401-2A1	355	400L	7.25	2979	95.3	0.89	610	1138	1.2	7.0	1.8	2169
YU1402-2A1	400	400L	8.00	2975	95.4	0.89	685	1284	1.2	7.0	1.8	2249
YU1403-2A1	450	400L	8.25	2980	95.5	0.89	767	1442	1.2	7.0	1.8	2304
1500 rev/min - 4poles												
YU1311-4A1	110	315S	3.00	1487	93.7	0.89	197	706	1.8	6.8	2.0	1117.5
YU1312-4A1	132	315M	3.50	1487	94.2	0.89	235	848	1.8	6.8	2.0	1187.5
YU1313-4A1	160	315L	4.00	1487	94.6	0.89	284	1027	1.8	6.8	2.0	1237.5
YU1314-4A1	185	315L	4.50	1487	94.6	0.89	329	1284	1.8	6.8	2.0	1372.5
YU1315-4A1	200	315L	4.50	1487	94.6	0.89	355	1284	1.8	6.8	2.0	1387.5
YU1351-4A1	220	355M	6.00	1480	94.5	0.87	400	1419	1.4	6.8	2.0	1747.5
YU1352-4A1	250	355M	6.75	1480	94.9	0.87	453	1613	1.4	6.8	2.0	1787.5
YU1353-4A1	280	355L	6.75	1480	95.2	0.87	504	1807	1.4	6.8	2.0	1827.5
YU1354-4A1	315	355L	8.25	1484	95.4	0.9	557	2027	1.4	6.8	2.0	1867.5
YU1401-4A1	355	400L	14.25	1487	95.5	0.89	614	2280	1.2	6.5	1.8	2337.5
YU1402-4A1	400	400L	16.25	1487	95.6	0.89	690	2569	1.2	6.5	1.8	2488
YU1403-4A1	450	400L	16.75	1488	95.7	0.78	776	2888	1.2	6.5	1.8	2528
1000 rev/min - 6poles												
YU1311-6A1	75	315S	4.00	987	93.0	0.87	139	726	1.6	6.5	2.0	1097.5
YU1312-6A1	90	315M	4.75	987	93.3	0.87	166	871	1.6	6.5	2.0	1147.5
YU1313-6A1	110	315L	5.00	988	93.6	0.87	203	1063	1.6	6.5	2.0	1177.5
YU1314-6A1	132	315L	6.00	988	93.6	0.87	242	1276	1.6	6.5	2.0	1417.5
YU1351-6A1	160	355M	7.75	985	94.2	0.87	295	1551	1.3	6.5	2.0	1897.5
YU1352-6A1	185	355M	8.25	985	94.4	0.87	341	1939	1.3	6.5	2.0	1937.5
YU1353-6A1	200	355L	9.25	985	94.4	0.87	367	1939	1.3	6.5	2.0	1947.5
YU1354-6A1	220	355L	10.25	986	94.6	0.87	403	2131	1.3	6.5	2.0	1967.5
YU1401-6A1	250	400L	16.75	987	94.9	0.86	457	2419	1.3	6.5	1.8	2193
YU1402-6A1	280	400L	19.75	987	95.1	0.86	507	2709	1.3	6.5	1.8	2358
YU1403-6A1	315	400L	19.75	987	95.2	0.86	572	3048	1.3	6.5	1.8	2378



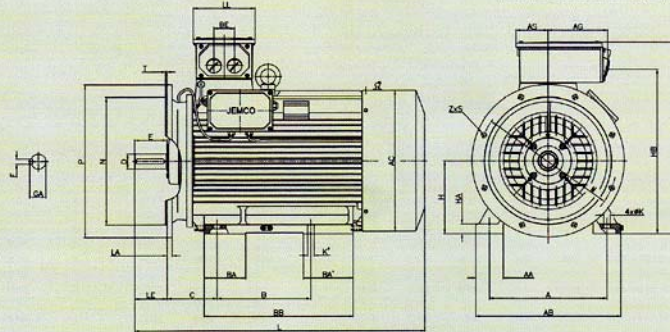
TYPE YU - LOW VOLTAGE (380V) SQUIRREL CAGE MOTORS

Degree of Protection : IP 55, 50Hz, IM B35



شرکت صنایع ماشینهای الکتریکی جویون (جعمکو)
Jovain Electrical Machines Industries Co.(JEMCO)

Jovain Electrical Machines Industries Co.(JEMCO)



Type YU-SQUIRREL -CAGE MOTORS - IM B35
Degree of protection IP 55 , 50Hz

For motor		Dimension symbols to IEC 72																																							
Frame size	Type NO.	Power Kw	No of poles	A	B	C	D	E	F	GA	H	K	K'	L	LL	BE	BC	AB	AA	AC	BB	BA	BA'	AG	AS	HA	HB	HD	P	N	LA	T	M	Z	S						
315S	YU311-2A1	110	2	406			65	140	18	65																															
	YU311-4A1	110	4				85	170	22	85																												1264			
	YU311-6A1	75	6				90	170	22	85																												1264			
315M	YU312-2A1	132	2	457			95	140	18	65																															
	YU312-4A1	132	4				80	170	22	85																												1264			
	YU312-6A1	90	6				80	170	22	85																												1264			
315L	YU313-2A1	180	2	508	216		85	140	18	65	315	28	28	1250	268	90	32	628	120	609	645	180	215	250	138	42	710	830	690	550	25	8	800	8	22						
	YU313-2A1	185					85	140	18	65																															
	YU313-4A1	180	4				908																																		
	YU313-4A1	185																																						80	170
	YU313-6A1	200	6																																						
	YU313-6A1	110																																							80
YU314-6A1	132	6																																							
355M	YU351-2A1	220	2	560			75	140	18	65																															
	YU352-2A1	250					75	140	18	65																												1470			
	YU351-4A1	220	4																																						
	YU352-4A1	280																																							
	YU351-6A1	110	6																																						
YU352-6A1	185	810		254	30	355																																			
355L	YU353-2A1	280	2	630			75	140	18	65																															
	YU354-2A1	315					75	140	18	65																												1470			
	YU353-4A1	280	4																																						
	YU354-4A1	315																																							90
YU353-6A1	200	6																																							
YU354-6A1	220																																				90	170	22	85	1500
400L	YU401-2A1	355	2	666	710	280	80	22	85																																
	YU402-2A1	400					80	22	85																													1565			
	YU403-2A1	450	4																																						
	YU401-4A1	355																																							100
	YU402-4A1	400	6																																						
	YU401-6A1	250																																							100
YU403-6A1	280																																								
YU403-6A1	315																																				100	28	106	1805	

Jovain
جواين

Electrical
Machines
Industries Co.
(JEMCO)



TYPE YR- MEDIUM VOLTAGE (6000V) WOUND ROTOR MOTORS

TECHNICAL DATA

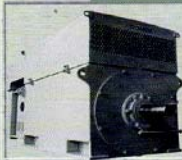


شرکت صنایع ماشینهای الکتریکی جوبین (جمکو)
Jovain Electrical Machines Industries Co.(JEMCO)

Jovain Electrical Machines Industries Co.(JEMCO)

Type No.	Degree of Protection : IP 55 , 50Hz , IM B3 , Insulation Class:F , Thermal Class B										
	Rated output	Frame size	Performance at rated output			Rated current at 6000 V	Rated voltage of rotor	Rated current of rotor	Rated torque	Break-down torque	Weight approx
	KW	mm	Rated speed rev/min	Efficiency %	Power factor Cosφ	A	V	A	Nm	for direct-on-line starting as multiples of rated torque	kg
1500 rev/min - 4poles											
YR1361-4A0	220	355	1474	92.7	0.83	28	339	407	1425	1.8	2510
YR1362-4A0	250	355	1474	93.0	0.84	30	365	430	1520	1.8	2590
YR1363-4A0	280	355	1474	93.1	0.84	33	395	444	1614	1.8	2650
YR1401-4A0	315	400	1478	93.2	0.85	37	397	491	2038	1.8	3020
YR1402-4A0	355	400	1478	93.3	0.85	42	433	506	2297	1.8	3120
YR1403-4A0	400	400	1477	93.5	0.85	46	478	516	2568	1.8	3240
YR1404-4A0	450	400	1478	93.7	0.85	52	530	521	2907	1.8	3360
YR1406-4A0	500	400	1478	93.9	0.85	58	597	512	3230	1.8	3490
YR1451-4A0	560	450	1481	94.2	0.85	64	545	630	3611	1.8	4020
YR1452-4A0	630	450	1482	94.5	0.86	71	597	647	4059	1.8	4210
YR1453-4A0	710	450	1479	94.8	0.86	79	618	711	4584	1.8	4360
YR1454-4A0	800	450	1482	94.7	0.87	90	703	698	5155	1.8	4430
YR1501-4A0	900	500	1481	94.8	0.87	100	824	669	5803	1.8	5320
YR1502-4A0	1000	500	1482	94.9	0.87	111	899	680	6443	1.8	5480
YR1503-4A0	1120	500	1483	95.0	0.87	125	990	691	7212	1.8	5680
YR1504-4A0	1250	500	1484	95.1	0.87	140	1098	693	7722	1.8	5880
YR1561-4A0	1400	560	1496	95.2	0.87	158	1301	655	8906	1.8	6690
YR1562-4A0	1600	560	1496	95.3	0.87	179	1429	690	10282	1.8	6890
YR1563-4A0	1800	560	1487	95.4	0.87	200	1590	687	11559	1.8	7270
1000 rev/min - 6poles											
YR1401-6A0	220	400	986	92.5	0.81	27	322	428	2131	1.8	3040
YR1402-6A0	250	400	984	92.7	0.82	30	347	452	2426	1.8	3115
YR1403-6A0	280	400	984	92.8	0.82	34	376	466	2717	1.8	3210
YR1404-6A0	315	400	984	93.0	0.82	38	410	480	3057	1.8	3330
YR1405-6A0	355	400	984	93.2	0.82	43	450	492	3445	1.8	3420
YR1451-6A0	400	450	994	93.5	0.83	47	410	612	3862	1.8	3925
YR1452-6A0	460	450	984	93.8	0.84	53	451	624	4367	1.8	4080
YR1453-6A0	500	450	985	93.8	0.84	59	502	621	4847	1.8	4275
YR1454-6A0	560	450	986	94.0	0.84	66	565	615	5423	1.8	4500
YR1501-6A0	630	500	988	94.3	0.85	72	639	412	6089	1.8	5190
YR1502-6A0	710	500	989	94.5	0.85	82	1042	418	6855	1.8	5350
YR1503-6A0	800	500	988	94.7	0.85	92	1073	459	7732	1.8	5410
YR1504-6A0	900	500	989	94.8	0.85	103	1218	454	8690	1.8	5700
YR1561-6A0	1000	560	988	95.0	0.85	115	1250	490	9655	1.8	6030
YR1562-6A0	1120	560	989	95.1	0.85	128	1323	519	10814	1.8	6810
YR1563-6A0	1250	560	989	95.2	0.85	143	1403	549	12069	1.8	6860
750 rev/min - 8poles											
YR1401-8A0	220	400	735	92.2	0.78	28	480	288	2858	1.8	3230
YR1402-8A0	250	400	735	92.3	0.78	32	516	305	3248	1.8	3340
YR1403-8A0	280	400	735	92.5	0.79	35	559	315	3638	1.8	3450
YR1451-8A0	315	450	737	92.6	0.8	40	559	352	4081	1.8	3940
YR1452-8A0	355	450	737	92.7	0.8	44	611	364	4600	1.8	4115
YR1453-8A0	400	450	737	93.0	0.8	50	671	372	5183	1.8	4280
YR1454-8A0	450	450	737	93.2	0.81	55	748	375	5830	1.8	4470
YR1501-8A0	500	500	739	93.5	0.81	60	775	402	6461	1.8	5200
YR1502-8A0	560	500	739	93.7	0.81	67	862	404	7236	1.8	5400
YR1503-8A0	630	500	740	93.9	0.81	77	967	404	8130	1.8	5600
YR1504-8A0	710	500	739	94.0	0.81	85	1015	435	9174	1.8	5200
YR1561-8A0	800	560	741	94.2	0.81	98	1103	448	10309	1.8	6770
YR1562-8A0	900	560	741	94.3	0.81	109	1189	468	11598	1.8	6810
YR1563-8A0	1000	560	741	94.4	0.81	121	1287	480	12887	1.8	6940

Stator Voltage from 3000 UP to 6600 V on Request



Jovain

Electrical Machines Industries Co. (JEMCO)

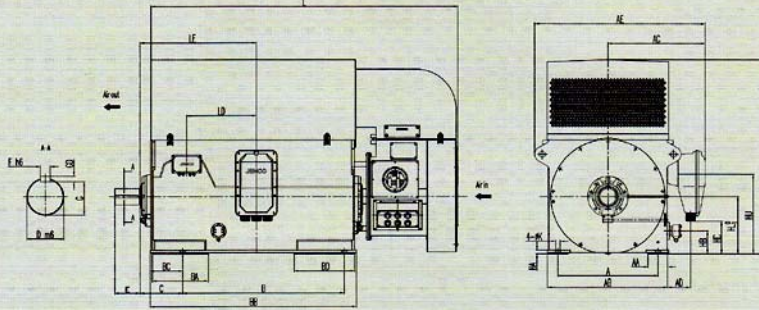
TYPE YR- MEDIUM VOLTAGE (6000V) WOUND ROTOR MOTORS

DIMENSIONS



شرکت صنایع ماشینهای الکتریکی جوین (جمکو)
Jovain Electrical Machines Industries Co.(JEMCO)

Jovain Electrical Machines Industries Co.(JEMCO)



Type YR- MEDIUM VOLTAGE(6000V) WOUND ROTOR MOTORS - IM B3
Degree of protection IP 55 , 50Hz

Frame size	Type NO.	poles	Dimension symbols																											
			A	B	C	D	E	F	G	H	K	L	AA	AB	AC	AD	AE	BA	BB	BC	BD	GD	HA	HB	HC	HD	HU	LD	LE	
300	YR1315-4AQ	4	630	900	315	100	210	28	90	305	28	2862	100	870	809	22	1354	590	560	1570	180	16	35	220	160	1180	594	365	885	
	YR1325-4AQ																	550	550	1480	180	16	35	220	160	1180	594	365	885	
	YR1405-4AQ																	450	450	1480	180	16	35	220	160	1180	594	365	885	
	YR1405-4AQ																	400	400	1480	180	16	35	220	160	1180	594	365	885	
	YR1405-4AQ	0	710	1000	330	110	210	28	100	400	30	2947	160	920	834	22	1404	400	375	1060	230	15	35	220	280	1295	714	430	870	
	YR1405-4AQ																	450	450	1660	230	15	35	220	280	1295	714	430	870	
	YR1405-4AQ																	400	400	1660	230	15	35	220	280	1295	714	430	870	
	YR1405-4AQ																	400	400	1500	230	15	35	220	280	1295	714	430	870	
YR1405-4AQ	8	710	1000	330	110	210	28	100	400	30	2947	160	920	834	22	1404	400	375	1060	230	15	35	220	280	1295	714	430	870		
YR1405-4AQ																	450	450	1660	230	15	35	220	280	1295	714	430	870		
YR1405-4AQ																	400	400	1660	230	15	35	220	280	1295	714	430	870		
YR1405-4AQ																	400	400	1500	230	15	35	220	280	1295	714	430	870		
400	YR1455-4AQ	4			120	210		100				2862	100	870	809	22	1354	590	560	1570	180	16	35	220	160	1180	594	365	885	
	YR1455-4AQ																	550	550	1480	180	16	35	220	160	1180	594	365	885	
	YR1455-4AQ																	450	450	1480	180	16	35	220	160	1180	594	365	885	
	YR1455-4AQ																	400	400	1480	180	16	35	220	160	1180	594	365	885	
	YR1455-4AQ	0	800	1120	355			32		450	38	2947	160	1000	874	22	1994	430	400	1550	210	18	36	221	350	1428	784	468	925	
	YR1455-4AQ																	450	450	1660	210	18	36	221	350	1428	784	468	925	
	YR1455-4AQ																	400	400	1660	210	18	36	221	350	1428	784	468	925	
	YR1455-4AQ																	400	400	1500	210	18	36	221	350	1428	784	468	925	
YR1455-4AQ	8	800	1120	355			32		450	38	2947	160	1000	874	22	1994	430	400	1550	210	18	36	221	350	1428	784	468	925		
YR1455-4AQ																	450	450	1660	210	18	36	221	350	1428	784	468	925		
YR1455-4AQ																	400	400	1660	210	18	36	221	350	1428	784	468	925		
YR1455-4AQ																	400	400	1500	210	18	36	221	350	1428	784	468	925		
500	YR1505-4AQ	4			130		32	119				3360	170	1120	934	22	1599	590	560	1640		18	36	221	400	1690	874	468	1000	
	YR1505-4AQ																	550	550	1700		18	36	221	400	1690	874	468	1000	
	YR1505-4AQ																	450	450	1700		18	36	221	400	1690	874	468	1000	
	YR1505-4AQ																	400	400	1700		18	36	221	400	1690	874	468	1000	
	YR1505-4AQ	0	900	1250	475		290		500	42	3360	170	1120	934	22	1599	490	460	1740	330	20	36	221	400	1690	874	468	1000		
	YR1505-4AQ																550	550	1840	330	20	36	221	400	1690	874	468	1000		
	YR1505-4AQ																450	450	1840	330	20	36	221	400	1690	874	468	1000		
	YR1505-4AQ																400	400	1740	330	20	36	221	400	1690	874	468	1000		
YR1505-4AQ	8	900	1250	475		290		500	42	3360	170	1120	934	22	1599	490	460	1740	330	20	36	221	400	1690	874	468	1000			
YR1505-4AQ																550	550	1840	330	20	36	221	400	1690	874	468	1000			
YR1505-4AQ																450	450	1840	330	20	36	221	400	1690	874	468	1000			
YR1505-4AQ																400	400	1740	330	20	36	221	400	1690	874	468	1000			
900	YR1555-4AQ	4			150	130	36	138				3640	190	1200	974	22	1899	590	560	210	300	20	36	221	550	1910	964	468	3000	
	YR1555-4AQ																	550	550	2200	300	20	36	221	550	1910	964	468	3000	
	YR1555-4AQ																	450	450	2200	300	20	36	221	550	1910	964	468	3000	
	YR1555-4AQ																	400	400	2200	300	20	36	221	550	1910	964	468	3000	
	YR1555-4AQ	0	1000	1400	500		300	40	147		900	42	3700	190	1200	974	22	1899	590	560	2040	340	22	36	221	550	1910	964	468	2870
	YR1555-4AQ																		550	550	2240	340	22	36	221	550	1910	964	468	2870
	YR1555-4AQ																		450	450	2240	340	22	36	221	550	1910	964	468	2870
	YR1555-4AQ																		400	400	2240	340	22	36	221	550	1910	964	468	2870

Electrical Machines Industries Co. (JEMCO)

TYPE YK - MEDIUM VOLTAGE (6000V) SQUIRREL CAGE MOTORS

TECHNICAL DATA



شرکت صنایع ماشینهای الکتریکی جوبین (جمکو)
Jovain Electrical Machines Industries Co.(JEMCO)

Jovain Electrical Machines Industries Co.(JEMCO)

Degree of Protection : IP 55 , 50Hz , IM B3 , Insulation Class:F , Thermal Class B

Type No.	Rated output KW	Frame size mm	Moment of Inertia Kg m ²	Performance at rated output			Rated current at 380 V A	Rated torque Nm	Locked-rotor torque rated torque	Locked-rotor current rated current	Break-down torque rated torque	Weight approx kg
				Rated speed rev/min	Efficiency η	Power factor Cos ϕ						
1500 rev/min - 4poles												
YK1351-4A0	220	355	4.50	1454	93.3	0.85	25	1416	0.8	6.5	1.8	2300
YK1352-4A0	250	355	4.50	1483	93.4	0.86	29	1610	0.8	6.5	1.8	2350
YK1353-4A0	280	355	4.75	1484	93.5	0.86	33	1822	0.8	6.5	1.8	2400
YK1354-4A0	315	355	5.00	1483	93.6	0.86	37	2028	0.8	6.5	1.8	2450
YK1401-4A0	355	400	8.00	1485	93.8	0.86	40	2283	0.8	6.5	1.8	2870
YK1402-4A0	400	400	10.00	1484	94.0	0.86	45	2574	0.8	6.5	1.8	2960
YK1403-4A0	450	400	11.00	1484	94.2	0.86	50	2896	0.8	6.5	1.8	3115
YK1404-4A0	500	400	12.00	1485	94.3	0.87	56	3215	0.8	6.5	1.8	3250
YK1405-4A0	560	400	13.00	1486	94.5	0.87	63	3599	0.8	6.5	1.8	3340
YK1451-4A0	630	450	18.50	1487	94.8	0.87	71	4046	0.8	6.5	1.8	4006
YK1452-4A0	710	450	20.75	1487	95.0	0.87	79	4559	0.8	6.5	1.8	4080
YK1453-4A0	800	450	22.75	1488	95.1	0.87	90	5134	0.8	6.5	1.8	4140
YK1454-4A0	900	450	23.75	1487	95.2	0.87	100	5779	0.8	6.5	1.8	4200
YK1501-4A0	1000	500	23.75	1489	95.3	0.87	111	6413	0.7	6.5	1.8	4790
YK1502-4A0	1120	500	35.25	1490	95.4	0.88	123	7178	0.7	6.5	1.8	4960
YK1503-4A0	1280	500	38.75	1490	95.5	0.88	138	8011	0.7	6.5	1.8	5140
YK1504-4A0	1400	500	42.00	1490	95.6	0.88	155	8972	0.7	6.5	1.8	5340
YK1561-4A0	1600	560	54.00	1490	95.7	0.89	173	10254	0.6	6.5	1.8	6330
YK1562-4A0	1800	560	57.50	1491	95.8	0.89	195	11528	0.6	6.5	1.8	6530
YK1563-4A0	2000	560	64.50	1491	95.9	0.89	216	12809	0.6	6.5	1.8	6915
1000 rev/min - 6poles												
YK1351-6A0	250	355	9.75	990	93.3	0.82	30	2411	0.8	6.0	1.8	2520
YK1352-6A0	220	355	9.00	989	93.0	0.82	27	2124	0.8	6	1.8	2440
YK1401-6A0	280	400	16.25	989	93.5	0.83	33	2703	0.8	6	1.8	2995
YK1402-6A0	315	400	17.75	989	93.7	0.83	37	3041	0.8	6	1.8	3120
YK1403-6A0	355	400	19.00	989	93.9	0.83	42	3428	0.8	6	1.8	3280
YK1404-6A0	400	400	20.50	989	94.0	0.83	48	3862	0.8	6	1.8	3375
YK1451-6A0	460	450	23.50	990	94.3	0.84	51	4340	0.8	6	1.8	3680
YK1452-6A0	500	450	25.50	991	94.5	0.85	57	4818	0.8	6	1.8	3820
YK1453-6A0	560	450	28.50	991	94.7	0.85	63	5396	0.8	6	1.8	4000
YK1454-6A0	630	450	30.75	991	94.8	0.85	72	6071	0.8	6	1.8	4100
YK1501-6A0	710	500	48.50	993	95.0	0.85	79	8628	0.7	6	1.8	4570
YK1502-6A0	800	500	52.25	993	95.1	0.85	90	9593	0.7	6	1.8	4720
YK1503-6A0	900	500	54.00	992	95.2	0.85	101	10663	0.7	6	1.8	4790
YK1504-6A0	1000	500	58.50	993	95.3	0.85	113	11916	0.7	6	1.8	4980
YK1561-6A0	1120	560	76.00	993	95.4	0.86	125	13370	0.7	6	1.8	5205
YK1562-6A0	1250	560	80.75	992	95.5	0.86	139	15033	0.7	6	1.8	5390
YK1563-6A0	1400	560	90.25	992	95.6	0.86	156	16978	0.7	6	1.8	5645
750 rev/min - 8poles												
YK1401-8A0	220	400	19.00	740	93.0	0.79	28	3226	0.8	5.5	1.8	3135
YK1402-8A0	280	400	20.00	740	93.2	0.79	38	3613	0.8	5.5	1.8	3285
YK1403-8A0	280	400	21.50	740	93.2	0.79	35	3613	0.8	5.5	1.8	3385
YK1451-8A0	315	450	28.50	744	93.4	0.8	39	4043	0.8	5.5	1.8	3730
YK1452-8A0	355	450	29.75	744	93.5	0.8	44	4566	0.8	5.5	1.8	3790
YK1453-8A0	400	450	33.25	744	93.7	0.8	49	5134	0.8	5.5	1.8	3980
YK1454-8A0	460	450	35.60	744	93.8	0.81	55	5776	0.8	5.5	1.8	4100
YK1501-8A0	500	500	29.25	743	94.3	0.81	59	6426	0.8	5.5	1.8	3900
YK1502-8A0	560	500	35.75	744	94.4	0.82	66	7149	0.8	5.5	1.8	4200
YK1503-8A0	630	500	40.25	744	94.5	0.82	75	8086	0.8	5.5	1.8	4920
YK1504-8A0	710	500	45.75	743	94.5	0.82	84	9125	0.8	5.5	1.8	4920
YK1561-8A0	800	560	62.25	745	94.7	0.84	94	10254	0.7	6	1.8	6250
YK1562-8A0	900	560	67.75	744	94.3	0.84	105	11551	0.7	6	1.8	6340
YK1563-8A0	1000	560	75.00	744	94.9	0.84	117	12835	0.7	6	1.8	6535

Stator Voltage from 3000 UP to 6600 V on Request



Jovain

Electrical Machines Industries Co. (JEMCO)

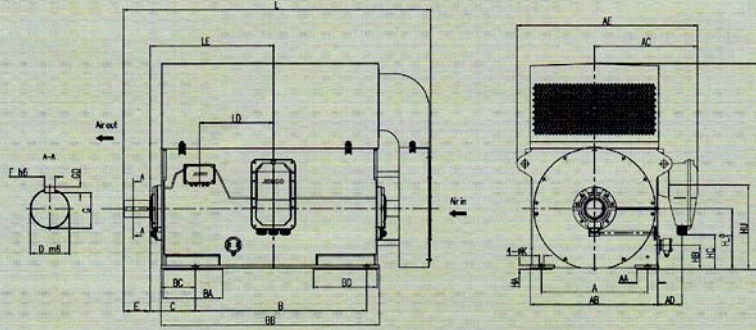
TYPE YK- MEDIUM VOLTAGE (6000V) SQUIRREL CAGE MOTORS

DIMENSIONS



شرکت صنایع ماشینهای الکتریکی جوبین (جعمکو)
Jovain Electrical Machines Industries Co.(JEMCO)

Jovain Electrical Machines Industries Co.(JEMCO)



Type YK- SQUIRRELM CAGE MOTORS - IM B3
Degree of protection IP 55 , 50Hz

For motor			Dimension symbols																										
Frame size	Type NO.	poles	A	B	C	D	E	F	G	H	K	L	AA	AB	AC	AD	AE	BA	BB	BC	BD	GD	HA	HB	HC	HD	HU	LD	LE
355	YK1351-4A0	4	630	900	315	100	210	26	90	355	28	2214	160	870	800	22	1354	490	590	180	195	16	35	220	160	1180	594	365	885
	480																	580	180		590								865
	480	580																180	590		865								
	480	580																180	590		865								
	480	580																180	590		865								
	480	580																180	590		865								
400	YK1401-4A0	4	710	1000	335	110	210	28	100	400	35	2187	160	920	834	22	1404	490	590	230	195	16	35	220	280	1235	714	430	870
	435																	535	195		535								920
	435	535																195	535		920								
	435	535																195	535		920								
	435	535																195	535		920								
	435	535																195	535		920								
	435	535																195	535		920								
	435	535																195	535		920								
	435	535																195	535		920								
	435	535																195	535		920								
	435	535																195	535		920								
	435	535																195	535		920								
450	YK1451-4A0	4	800	1120	355	120	210	109	450	35	2177	150	1000	874	22	1994	430	590	690	210	195	18	36	221	350	1425	784	466	925
	490																	590	195		590								925
	490	590																195	590		925								
	490	590																195	590		925								
	490	590																195	590		925								
	490	590																195	590		925								
	490	590																195	590		925								
	490	590																195	590		925								
	490	590																195	590		925								
	490	590																195	590		925								
	490	590																195	590		925								
	490	590																195	590		925								
500	YK1501-4A0	4	900	1260	475	130	32	119	600	42	2455	170	1120	934	22	1500	490	590	690	330	195	36	221	400	1600	874	466	1020	
	490																	590	195		590								1020
	490	590																195	590		1020								
	490	590																195	590		1020								
	490	590																195	590		1020								
	490	590																195	590		1020								
560	YK1561-4A0	4	1000	1400	500	150	36	138	800	42	3017	195	1200	974	22	1899	590	690	790	340	195	36	221	530	1910	964	466	2870	
	490																	590	195		590							2870	
	490	590																195	590		2870								
	490	590																195	590		2870								
	490	590																195	590		2870								
	490	590																195	590		2870								
	490	590																195	590		2870								
	490	590																195	590		2870								

TYPE YJS - MEDIUM VOLTAGE (6000V) COMPACT MOTORS

TECHNICAL DATA



شرکت صنایع ماشینهای الکتریکی خویین (جمکو)
Jovain Electrical Machines Industries Co.(JEMCO)

Jovain Electrical Machines Industries Co.(JEMCO)

Type	Rated Power	At full-Load				Ist In	Mst Mn	Mmax Mn	Moment of Inertia of Load Kg.m ²	Weight Kg
		Rated Current	Rated Speed	Efficiency	Power Factor					
		A	r/min	%	cos Φ					
YJS400-2	220	26	2964	93	0.871	6.96	0.68	1.84	32.4	2650
	250	29.6	2961	93	0.87	6.62	0.6	1.84	20	2650
	280	32.9	2963	93.4	0.876	6.31	0.61	1.84	34	2763
	315	37.1	2980	93	0.87	6.64	0.6	1.84	34	2770
	355	41.8	2979	93.7	0.870	6.67	0.67	1.84	34	2400
YJS560 - 2	400	46.9	2976	94	0.87	6.66	0.7	1.79	34	3420
	450	52.5	2979	94.5	0.872	6.85	0.64	1.80	49	3500
	500	57.9	2976	95	0.88	6.73	0.7	1.80	43	3520
	560	64.6	2976	94.8	0.880	6.70	0.61	1.84	57	3620
	630	71.8	2980	95	0.89	6.70	0.7	1.84	81	4400
YJS560 - 2	710	80.9	2982	95.3	0.886	6.80	0.65	1.84	95	4410
	800	91.2	2979	95	0.88	6.63	0.7	1.82	96	4450
	900	101.8	2980	95.5	0.890	6.69	0.65	1.83	98	4630
	1000	113.6	2977	96	0.89	6.73	0.7	1.80	97	4650
	1120	126.2	2982	95.9	0.890	6.78	0.68	1.82	97	5820
YJS560 - 2	1250	141.5	2980	96	0.89	6.60	0.7	1.80	98	5830
	1400	157.0	2982	96.1	0.892	6.58	0.63	1.82	99	6180
	1600	180.6	2979	96	0.89	6.75	0.7	1.82	100	6200
	220	26.2	1488	93.8	0.860	6.43	0.80	1.89	100	2450
	250	29.7	1486	94	0.87	6.38	0.9	1.88	109	2450
YJS400.4	280	33.3	1487	94.0	0.861	6.05	0.84	1.84	110	2510
	315	37.5	1488	94	0.86	6.43	0.8	1.89	115	2600
	355	41.9	1485	94.2	0.865	6.38	0.80	1.82	119	3600
	400	47.0	1484	94	0.87	6.43	0.9	1.81	127	3700
	450	53.0	1485	94.4	0.865	6.38	0.89	1.82	130	3720
YJS450.4	500	57.6	1485	95	0.89	6.38	0.8	1.82	140	3880
	560	64.7	1486	94.5	0.881	6.38	0.87	1.83	148	3900
	630	71.0	1491	95	0.90	6.40	0.7	1.85	381	4420
	710	79.8	1489	95.1	0.900	6.45	0.74	1.82	390	4430
	800	89.8	1490	95	0.90	6.40	0.7	1.84	396	4700
YJS500-4	900	101.4	1488	95.2	0.896	6.37	0.74	1.80	399	4780
	1000	113.0	1491	95	0.89	6.34	0.8	1.84	435	4680
	1120	126.0	1488	95.3	0.897	6.32	0.75	1.83	440	5890
	1250	140.6	1489	96	0.87	6.45	0.8	1.81	445	5900
	1400	157.0	1489	95.5	0.897	6.45	0.76	1.81	450	6110
YJS560 - 4	1600	179.5	1489	96	0.90	6.45	0.8	1.81	467	6400
	220	26.3	987	93.2	0.865	5.62	1.00	1.81	600	2690
	250	29.8	985	93	0.87	5.50	0.9	1.81	610	2700
	280	33.4	986	93.3	0.866	5.70	0.93	1.89	650	2670
	315	38.0	990	94	0.85	5.68	1.0	1.81	700	3600
YJS450 - 6	355	42.7	990	93.6	0.854	5.57	0.96	1.81	732	3700
	400	47.8	988	94	0.86	5.50	0.9	1.80	741	3900
	450	54.2	989	93.9	0.851	5.59	0.93	1.80	759	4000
	500	58.6	991	95	0.87	5.69	0.9	1.80	1059	4510
	560	65.7	992	94.6	0.870	5.59	0.82	1.80	1059	4520
YJS500 - 6	630	73.9	992	95	0.87	5.55	0.8	1.81	1186	4690
	710	84.2	992	94.6	0.858	5.67	0.85	1.82	1264	4720
	800	96.2	993	95	0.84	5.87	1.1	2.29	1389	4870
	900	104.0	993	94.8	0.879	6.20	0.70	1.82	1600	6040
	1000	1164.0	992	95	0.88	6.40	0.7	1.80	1633	6050
YJS560 - 6	1120	133.0	993	94.8	0.854	6.40	0.76	1.84	1800	6260
	1250	147.5	992	95	0.86	6.20	0.8	1.83	1814	6270
	220	27.8	741	928.0	0.821	5.45	0.85	1.80	1015	3600
	250	31.9	741	93	0.81	5.45	0.9	1.80	1026	3700
	280	35.0	740	93.1	0.825	5.45	0.89	1.80	1125	3770
YJS450 - 8	315	39.9	740	93	0.82	5.45	0.9	1.80	1178	3830
	355	43.7	743	93.8	0.833	5.79	0.87	1.84	1466	4260
	400	49.1	743	94	0.83	5.66	0.9	1.83	1500	4420
	450	54.5	741	94.0	0.845	5.45	0.86	1.80	1510	4500
	500	60.6	742	94	0.84	5.09	0.9	1.81	1665	4640
YJS500 - 8	560	68.3	742	94.2	0.837	5.40	0.86	1.82	1700	4780
	630	75.7	743	94	0.85	5.58	0.9	1.80	1722	5770
	710	85.1	744	94.7	0.847	5.82	0.86	1.84	1820	6070
	800	95.2	743	95	0.85	5.52	0.9	1.82	1929	6080
	900	108.9	744	94.8	0.839	5.77	0.85	1.84	2181	6300

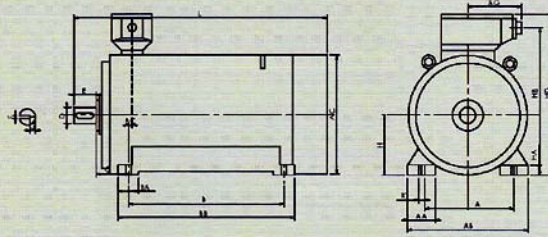
TYPE YJS - MEDIUM VOLTAGE (6000V) COMPACT MOTORS

DIMENSIONS

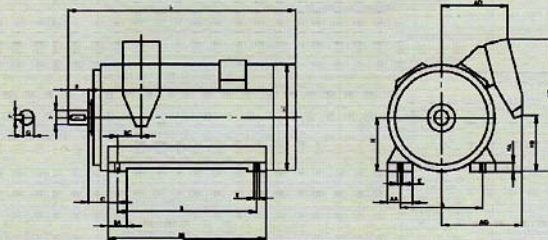


شرکت صنایع ماشینهای الکتریکی جوبین (جتمکو)
Jovain Electrical Machines Industries Co.(JEMCO)

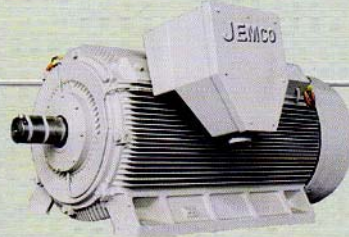
Jovain Electrical Machines Industries Co.(JEMCO)



Frame Size	Pole	Mounting Dimensions										Outline Dimensions										
		A	B	C	D	E	F	G	H	K	K'	AA	A _B	AC	AG	BA	BB	BC	HA	HB	HD	L
400	2	686	1000	280	90	170	25	81	400	36	36	150	836	770	469	155	1090	27	62	1211	1335	2165
	4-8				110	210	28	100														



Frame Size	Pole	Mounting Dimensions										Outline Dimensions											
		A	B	C	D	E	F	G	H	K	K'	AA	AB	AC	AD	AG	BA	BB	BC	HA	HB	HD	L
450	2				100	210	20	90															2165
	4	750	1120	254	120	210	32	109	450	35	42	150	900	895	900	810	220	1320	201	55	445	1080	2165
	6-8				130	250	32	119															2205
500	2				280*	110	210	28	100														2345
	4	850	1250		130	250	32	119	500	42	48	180	1030	985	965	845	260	1490	220	65	530	1185	2385
	6-8				280	140	250	30	128														2385
560	2				315*	130	250	32	119														2600*
	4	950	1400		150	250	36	138	560	48	53	210	1160	1100	1025	905	300	1680	225	76	650	1285	2600
	6-8				315	160	300	40	147														2650



Jovain
Electrical Machines Industries Co.
(JEMCO)

BEARING TYPE YD - SQUIRREL CAGE MOTORS



شرکت صنایع ماشینهای الکتریکی جوبن (جعمکو)
Jovain Electrical Machines Industries Co.(JEMCO)

Jovain Electrical Machines Industries Co.(JEMCO)

Type No	Frame Size	Rated Output Kw	Rated Speed RPM	No of Poles	Drive End Bearing	Non Drive End Bearing	AMB.TEMP (°C)	OPER.TIME (h)	GREASE QUANTITY (gr)
YD1161-4A0	160	15	1500	4	6309C3	6309C3	≤25	4000	20
YD1161-2A0		18.5	3000	2			≤40	2000	10
YD1162-2A0		15	3000	2			≤25	2000	20
YD1181-2A0	180	22	3000	2	6311C3	6311C3	≤25	2000	20
YD1181-4A0		18.5	1500	4			≤40	1000	10
YD1182-4A0		22		4			≤25	4000	20
YD1181-6A0		15	1000	6			≤40	2000	10
YD1201-2A0	200	30	3000	2	6312C3	6312C3	≤25	2000	20
YD1202-2A0		37		2			≤40	1000	10
YD1201-4A0		30	1500	4			≤25	4000	20
YD1201-6A0		18.5	1000	6			≤40	2000	10
YD1202-6A0		22		6			≤25	2000	10
YD1221-2A0	225	45	3000	2	6313C3	6313C3	≤25	2000	20
YD1221-4A0		37		1500			4	≤40	1000
YD1222-4A0		45	4				≤25	4000	20
YD1221-6A0		30	1000	6			≤40	2000	10
YD1251-2A0	250	55	3000	2	6314C3	6314C3	≤25	2000	20
YD1251-4A0		55		1500			4	≤40	1000
YD1251-6A0		37	1000	6			≤25	4000	20
YD1281-2A0	280	75	3000	2	6317C3	6317C3	≤25	2000	20
YD1282-2A0		90		2			≤40	1000	10
YD1281-4A0		75	1500	4			≤25	4000	20
YD1282-4A0		90		4			≤40	2000	10
YD1281-6A0		45	1000	6			≤25	4000	20
YD1282-6A0		55		6			≤40	2000	10



BEARING TYPE YU - SQUIRREL CAGE MOTORS



شرکت صنایع ماشینهای الکتریکی جوبین (جعمکو)
Jovain Electrical Machines Industries Co.(JEMCO)

Jovain Electrical Machines Industries Co.(JEMCO)

Type No	Frame Size	Rated Output Kw	Rated Speed RPM	No of Poles	Drive End Bearing	Non Drive End Bearing	AMB.TEMP (°C)	OPER.TIME (h)	GREASE QUANTITY (gr)							
YU1311-2A0	315	110	3000	2	6217C3	6217C3	≤ 25	4000	40							
YU1312-2A0		132														
YU1313-2A0		160														
YU1314-2A0		185														
YU1315-2A0		200														
YU1311-4A0		110								1500	4	6319C3	6319C3	≤ 25	8000	40
YU1312-4A0		132														
YU1313-4A0		160														
YU1314-4A0		185														
YU1315-4A0		200														
YU1311-6A0		75	1000	6			≤ 40	4000	20							
YU1312-6A0		90														
YU1313-6A0	110															
YU1314-6A0	132															
YU1351-2A0	355	220								3000	2	NU217EC-C3 6217C3	NU217EC-C3	≤ 25	4000	40
YU1352-2A0		250														
YU1353-2A0		280														
YU1354-2A0		315														
YU1351-4A0		220	1500	4	6322C3	6322C3	≤ 25	8000	40							
YU1352-4A0		250														
YU1353-4A0		280														
YU1354-4A0		315														
YU1351-6A0		160								1000	6			≤ 40	4000	20
YU1352-6A0		185														
YU1353-6A0		200														
YU1354-6A0		220														
YU1401-2A0	400	355	3000	2	NU217EC-C3 6217C3	NU217EC-C3	≤ 25	4000	40							
YU1402-2A0		400														
YU1403-2A0		450														
YU1401-4A0		355								1500	4	N324EC-C3	6324C3	≤ 40	2000	20
YU1402-4A0		400														
YU1403-4A0		450														
YU1401-6A0		250	1000	6			≤ 40	4000	20							
YU1402-6A0		280														
YU1403-6A0		315														



Technical Information
Electrical Data For YD & YU Series Motors

Derating Tables due to Altitude & Ambient Temperatures



شرکت صنایع ماشینهای الکتریکی جوبین (جمکو)
Jovain Electrical Machines Industries Co.(JEMCO)

Jovain Electrical Machines Industries Co.(JEMCO)

Altitude (Above Sea Level) in m	temperature in °C					
	< 30	30-40	45	50	55	60
1000	1.07	1	0.96	0.92	0.87	0.82
1500	1.04	0.97	0.93	0.89	0.84	0.79
2000	1	0.94	0.9	0.86	0.82	0.77
2500	0.96	0.9	0.86	0.83	0.78	0.74
3000	0.92	0.86	0.82	0.79	0.75	0.7
3500	0.88	0.82	0.79	0.75	0.71	0.67
4000	0.82	0.77	0.74	0.71	0.67	0.63

Notes :

1-The rated output refers to the continuous duty output according to DIN / VDE 0530 , part 1 at a frequency of 50 Hz ,ambient temperature of 40°C and altitude above 1000m see level.

The motors are manufactured in class F insulation and class B utilization factors. For any deviations from these conditions the permitted outputs should be adjusted according to these tables.

2-Derated outputs for ambient temperatures of 45°C and 50°C are based on the DIN rating ,and must be stated when ordering .

DIN output Rating KW	Derated output	
	At 45°C KW	At 50°C KW
11	10.5	10
15	14.5	13.8
18.5	17.8	17
22	21	20
30	29	27.5
37	35.5	34
45	43	41.5
55	53	51
75	72	69
90	86	83
110	106	101
132	127	122
145	139	133
160	153	147
180	173	166
200	192	184
250	240	230
280	269	258
315	302	290
355	340	325
400	384	368
450	432	414
500	480	460
560	538	515
630	605	580
710	682	653
800	768	736
900	864	828
1000	960	920



Electrical
Machines
Industries Co.
(JEMCO)

Technical Information
 Electrical Data For YD & YU Series Motors
Efficiency and Power Factor at Partial Loads



شرکت صنایع ماشینهای الکتریکی جوبین (جمکو)
 Jovain Electrical Machines Industries Co. (JEMCO)

Jovain Electrical Machines Industries Co. (JEMCO)

Efficiency(%) at Partial load				
1/4	1/2	3/4	4/4	5/4
of full load				
93	96	97	97	96.5
92	95	96	96	95.5
90	93.5	95	95	94.5
89	92.5	94	94	93.5
88	91.5	93	93	92.5
87	91	92	92	91.5
86	90	91	91	90
85	89	90	90	89
84	88	89	89	88
80	87	88	88	87
79	86	87	87	86
78	85	86	86	85
76	84	85	85	83.5
74	83	84	84	82.5
72	82	83	83	81.5
70	81	82	82	80.5
68	80	81	81	79.5
66	79	80	80	78.5
64	77	79.5	79	77.5
62	75.5	78.5	78	76.5
60	74	77.5	77	75
58	73	76	76	74
56	72	75	75	73
55	71	74	74	72
54	70	73	73	71
53	68	72	72	70
52	67	71	71	69
51	66	70	70	68
50	65	69	69	67
49	64	67.5	68	66
48	62	66.5	67	65
47	61	65	66	64
46	60	64	65	63
45	59	63	64	62
44	57	62	63	61
43	56	60.5	62	60.5
42	55	59.5	61	59.5
41	54	58.5	60	58.5

Power Factor at Partial load				
1/4	1/2	3/4	4/4	5/4
of full load				
0.7	0.86	0.9	0.92	0.92
0.65	0.85	0.89	0.91	0.91
0.63	0.83	0.88	0.9	0.9
0.61	0.8	0.86	0.89	0.89
0.57	0.78	0.85	0.88	0.88
0.53	0.76	0.84	0.87	0.87
0.51	0.75	0.83	0.86	0.86
0.49	0.73	0.81	0.85	0.86
0.47	0.71	0.8	0.84	0.85
0.45	0.69	0.79	0.83	0.84
0.43	0.67	0.77	0.82	0.83
0.41	0.66	0.76	0.81	0.82
0.4	0.65	0.75	0.8	0.81
0.38	0.63	0.74	0.79	0.8
0.36	0.61	0.72	0.78	0.8
0.34	0.59	0.71	0.77	0.79
0.32	0.58	0.7	0.76	0.78
0.3	0.56	0.69	0.75	0.78
0.29	0.55	0.68	0.74	0.77
0.28	0.54	0.67	0.73	0.77
0.27	0.52	0.63	0.72	0.76
0.26	0.5	0.62	0.71	0.76

Notes :

The values of efficiency η and power factor $\cos\phi$ are listed versus rated output in the selection tables of the individual sections of the catalogs.

The partial load values given in these tables are averages . Precise values can be given on request.



Protection Devices & Main Options



شرکت صنایع ماشینهای الکتریکی جوبین (جمکو)
Jovain Electrical Machines Industries Co. (JEMCO)

Protection Devices	
<p>In order to protect the winding of three-phase induction motor against thermal overloads, resulting for example from overloading or operation with only two phases, one of the following devices can be provided :</p> <p>1)- Bimetallic type device: It consists of 2 motor protectors connected in series. The contact is normally closed ; the disc opens when the windings temperature reaches limits dangerous for the insulation system. On request normally open device are available .</p> <p>2)- PTC temperature sensor (thermistors) : It consists of 3 sensors connected in series embedded in stator windings. Once reached operating temperature, This device quickly changes the resistance; it must be connected to a suitable releasing device.</p> <p>3)- PT 100 thermometric resistors (From size 132 and above). The resistance value of this device varies according to the windings temperature. They are particularly suitable for a continuous survey of the windings temperature. For a good survey at least two sets of PT 100 are requested; they must be connected to their proper monitoring equipment. PTC and PT 100 also offer reliable protection for operating modes other than continuous operation, e.g. short-time operation, switching operation, longtime start-up as well as for reduced cooling air flow rates and high ambient temperatures.</p>	<p>Motor for operation with frequency converter are always supplied with PTC thermistor temperature detectors. Above devices have their proper terminal block located inside main box .</p>
	Main Options
	<ul style="list-style-type: none"> •Non-standard voltages and frequencies. •Special flanges and shafts. •Double ended shafts. •Motors for tropical climates or for low temperature. •Terminal box with special cable entries. •Motors insulated to class H. •Motors with bimetallic detector, thermistor PTC or thermistor PT100. •Motors with heaters. •Motors suitable for frequency inverter drive. •Motors with forced ventilation. •Motors with special electrical design. •Motors with rain cap or sun shield.
	<p>Electrical Machines Industries Co. (JEMCO)</p>