

S3.8 G7 CoolPac



> Specification sheet

Our energy working for you.™



Description

The Cummins 'S Series' engine powered CoolPac sets offer the lowest cost of maintenance thereby proving to be the most economical power solution. With the robust design and integrated technologies, the 'S Series' CoolPac can command an unrivalled reputation for reliability and performance.

The Cummins 'S Series' engine powered CoolPac sets give you the advantage of optimising your valuable space. All elements of the CoolPac sets are designed from the start to work together to maximize efficiency, even at part loads, thus offering you the advantage of lowest operating costs.

The rugged and reliable Cummins 'S Series' CoolPac sets are unique, because all the major components – the engine and cooling system are manufactured by Cummins India. This integral approach means each element of a CoolPac set is designed to work in harmony from the start.



This engine has been built to comply with CE certification.



This engine has been designed in facilities certified to ISO9001 and manufactured in facilities certified to ISO9001 or ISO9002.

Features

Engine : Cummins 'S Series' CoolPac, powered by Cummins 'S Series' engines, are rated at 1500 RPM and conform to ISO 8528 specifications. The engines are radiator cooled, four stroke and multi-cylinder, conforming to BS 5514/ISO 3046.

The scope of Supply includes :

- Battery Charging Alternator
- Bosch In-line fuel system with mechanical governor
- Dual spin-on fuel filters
- Lube oil filter
- Turbocharger
- Charge Air Cooler (CAC)
- Dry type Air Cleaner
- Coolant recovery bottle
- Fuel pump shut-off coil with Temperature, Pressure & Magnetic Speed sensors
- Flywheel and flywheel housing
- CE compliant guarding
- Oil drain valve

Integrated Design - CoolPac products are supplied fitted with cooling package and medium duty air cleaner for a complete power package. Each component has been specifically developed and rigorously tested for G-Drive products, ensuring high performance, durability and reliability.

Service and Support - G-Drive products are backed by an uncompromising level of technical support and after sales service, delivered through a world class service network.

1500 rpm (50 Hz Ratings)

| Gross Engine Output | | | Net Engine Output | | | Typical Generator Set Output | | | | | |
|---------------------|-----------|-----------|-------------------|-----------|-----------|------------------------------|-----|-------------|-----|------------|-----|
| Standby | Prime | Base | Standby | Prime | Base | Standby (ESP) | | Prime (PRP) | | Base (COP) | |
| kWm/BHP | | | kWm/BHP | | | kWe | kVA | kWe | kVA | kWe | kVA |
| 64.9/87 | 59.6/79.9 | 41.7/55.9 | 62.9/84.2 | 57.6/77.1 | 39.7/53.1 | 52.8 | 66 | 48 | 60 | 33.6 | 42 |

Our energy working for you.™

www.cumminsgdrive.com

©2009 | Cummins G-Drive Engines | Specifications Subject to Change Without Notice | Cummins is a registered trademark of Cummins Inc.



General Engine Data

| | |
|-----------------------------|--------------------------|
| Type | In line, Radiator cooled |
| Bore mm | 97 |
| Stroke mm | 128 |
| Displacement Litre | 3.8 |
| Cylinder Block | Cast Iron, 4 Cylinder |
| Battery Charging Alternator | 12V, 35 Amps |
| Starting Voltage | 12V |
| Fuel System | Direct Injection |
| Fuel Filter | Spin on |
| Lube Oil Filter Type(s) | Spin on |
| Lube Oil Capacity (l) | 11 |
| Flywheel Dimensions | SAE3/10 |

CoolPac Performance Data

| | |
|---|------------------------------------|
| Cooling System Design | Charge Air & Jacket Water Cooled |
| Coolant Ratio | 50:50 |
| Coolant Capacity (l) | 11 |
| Limiting Ambient Temp. (degC)** | 50 |
| Fan Power (Kw) | 2 |
| Cooling System Air Flow (m ³ /s)** | 0.99 |
| Air Cleaner Type | Dry Type, Replaceable, medium duty |

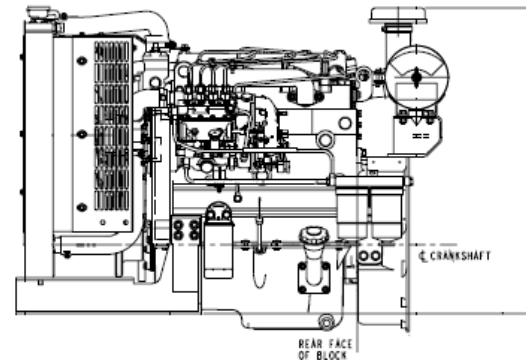
** @ ¼" H₂O

Weight & Dimensions

| Length | Width | Height | Weight (dry) |
|--------|-------|--------|--------------|
| mm | mm | mm | kg |
| 1290 | 910 | 1080 | 500 |

Fuel Consumption 1500 (50 Hz)

| % | kWm | BHP | L/ph | US gal/ph |
|-------------------------|------|------|------|-----------|
| Standby Power | | | | |
| 100 | 64.9 | 87 | 16.1 | 4.3 |
| Prime Power | | | | |
| 100 | 59.6 | 79.9 | 14.7 | 3.9 |
| 75 | 44.7 | 59.9 | 11.0 | 2.9 |
| 50 | 29.8 | 40 | 6.1 | 1.6 |
| 25 | 14.9 | 20 | 4.5 | 1.2 |
| Continuous Power | | | | |
| 100 | 41.7 | 55.9 | 10.6 | 2.8 |



Ratings Definitions

Emergency Standby Power (ESP):

Applicable for supplying power to varying electrical load for the duration of power interruption of a reliable utility source. Emergency Standby Power (ESP) is in accordance with ISO 3046, AS 2789, DIN 6271 and BS 5514.

Limited-Time Running Power (LTP):

Applicable for supplying power to a constant electrical load for limited hours. Limited-Time Running Power (LTP) is in accordance with ISO 8528.

Prime Power (PRP):

Applicable for supplying power to varying electrical load for unlimited hours. Prime Power (PRP) is in accordance with ISO 8528. Ten percent overload capability is available in accordance with ISO 3046, AS 2789, DIN 6271 and BS 5514.

Base Load (Continuous) Power (COP):

Applicable for supplying power continuously to a constant electrical load for unlimited hours. Continuous Power (COP) in accordance with ISO 8528, ISO 3046, AS 2789, DIN6271 and BS 5514.

Cummins G-Drive Engines

Asia Pacific
10 Toh Guan Road
#07-01
TT International Tradepark
Singapore 608838
Phone 65 6417 2388
Fax 65 6417 2399

Europe, CIS, Middle East and Africa
Manston Park Columbus Ave
Manston Ramsgate
Kent CT12 5BF, UK
Phone 44 1843 255000
Fax 44 1843 255902

Latin America
Rua Jati, 310, Cumbica
Guarulhos, SP 07180-900
Brazil
Phone 55 11 2186 4552
Fax 55 11 2186 4729

Mexico
Cummins S. de R.L. de C.V.
Eje 122 No. 200 Zona Industrial
San Luis Potosi, S.L.P. 78090
Mexico
Phone 52 444 870 6700
Fax 52 444 870 6811

North America
1400 73rd Avenue N.E.
Minneapolis, MN 55432
USA
Phone 1 763 574 5000
USA Toll-free 1 877 769 7669
Fax 1 763 574 5298

Our energy working for you.™

www.cumminsgdrive.com

©2009 | Cummins G-Drive Engines | Specifications Subject to Change Without Notice | Cummins is a registered trademark of Cummins Inc.

