

- 1 cylinder
- 401 cm³
- 7.3 kW/10.0 HP
- 3600 rpm
- Nm. 22.5@2100

Homologation

- EPA TIER 2
- ECE R 24

Construction

- 4 -stroke air cooled diesel engine.
- Conical power take-off on crankshaft.
- Anticlockwise rotation.
- Direct injection.
- Forced lubrication with oil pump.
- Centrifugal mass governor.
- Built-in full flow oil filter.
- Oil breathing blow-by with safety device.
- Automatic extra fuel starting device.
- Self bleeding fuel system.
- Torque regulator.
- Automatic compression release.
- Die-cast aluminium crankcase with integral cast iron cylinder liner.
- Aluminium alloy cylinder head.
- Built-in rigid feet.
- Hydraulic tappets.

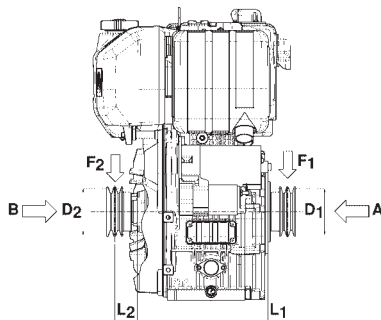


Applications

- Two-wheel tractor
- Agricultural mower
- Agricultural pump
- High pressure cleaner
- Generating set
- Vibrating plate
- Hydraulic power pack

Specifications

Cylinders	N.	1
Displacement	cm ³	401
Bore	mm	82
Stroke	mm	76
Compression ratio		20.3:1
Rating kW/HP	N (80/1269/CEE) ISO 1585	7.3/10.0
	NB ISO 3046 IFN	6.6/9.0
	NA ISO 3046 ICXN	6.2/8.4
Max. torque	Nm.	22.5@2100
Min. idling speed		950÷1000
Fuel tank capacity	l	5
Oil consumption	kg/h.	0.0044
Oil sump capacity	l	1.5
Min. allowable oil pressure	bar	1÷1.5
Max. allowable inclination for short periods of operation (peak values)		25° (35°)
Vol. of air required for correct combustion @ 3600 r.p.m.	l/min.	580
Vol. of air required for correct cooling @ 3600 r.p.m.	l/min.	5500
Dry weight	kg	45
Recommended battery	V/Ah	12/44
Minimum pulley diameters for belt drive		



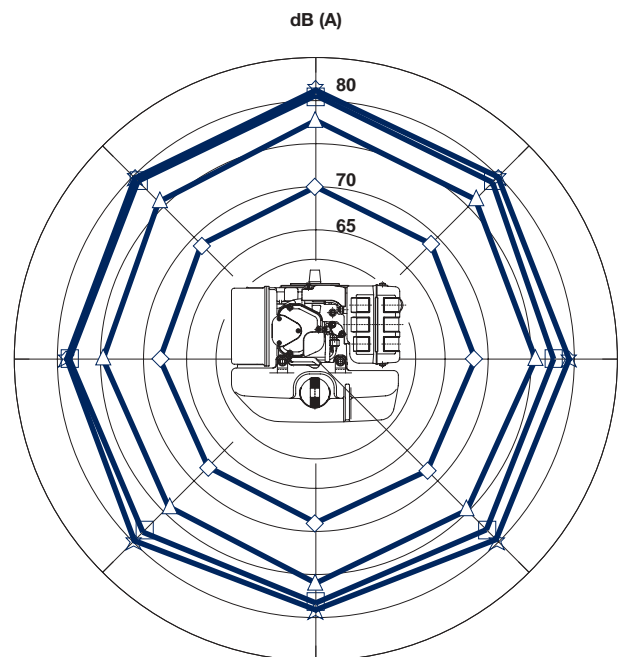
$$D_2 \text{ (mm)} \geq 620 [66+L_2 \text{ (mm)}] \frac{N \text{ (kW)}}{n \text{ (RPM)}}$$

$$D_1 \text{ (mm)} \geq 650 [53+L_1 \text{ (mm)}] \frac{N \text{ (kW)}}{n \text{ (RPM)}}$$

Max. allowable axial load in both directions A-B = 200 kg

Sound pressure level dB (A)

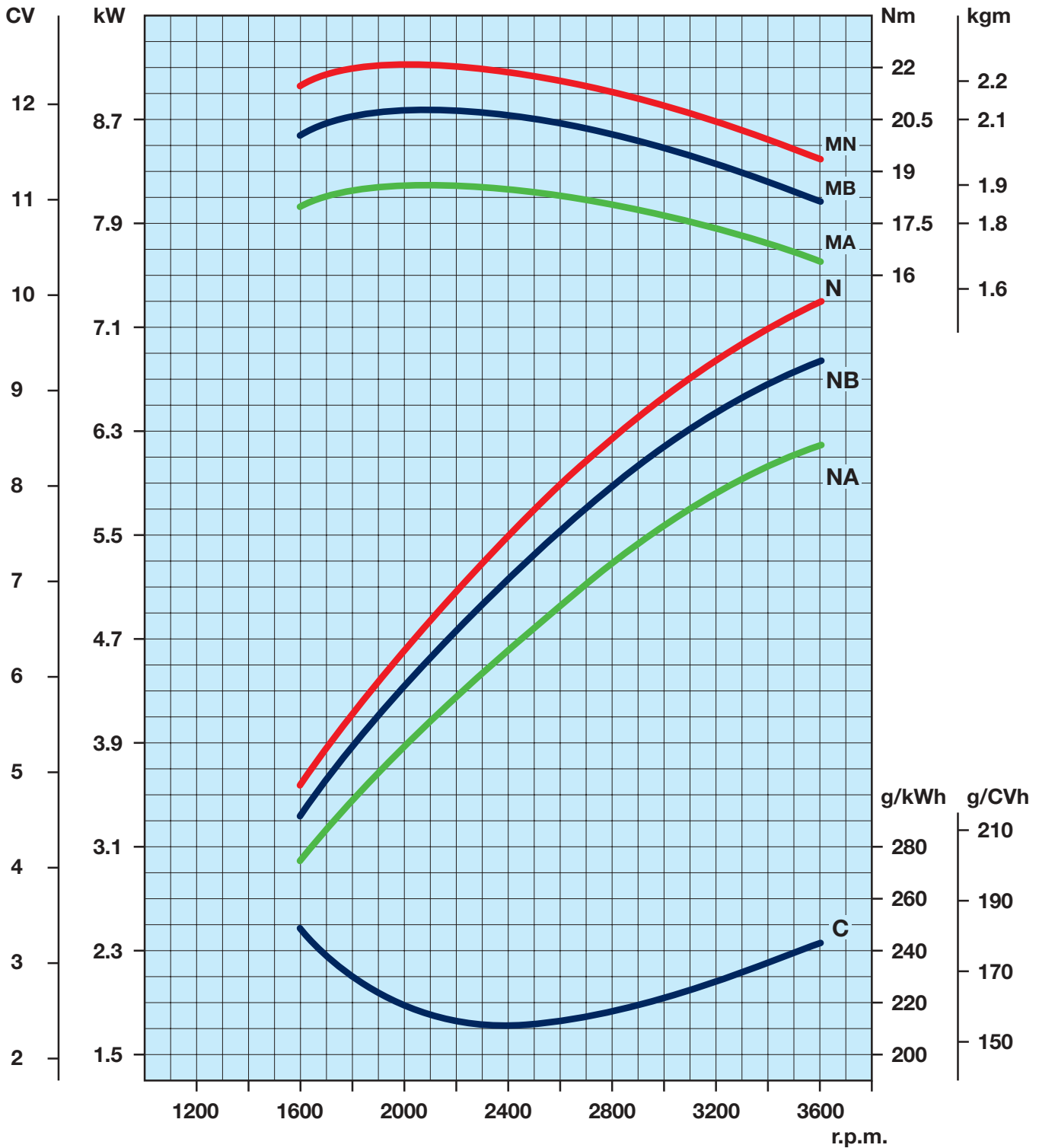
Sound level polar diagram open field - 7 meters microphone - no load running engine.



◆ 1000 RPM ▲ 2000 RPM ◻ 3000 RPM ★ 3600 RPM

SERIE 15LD

Curves 15LD 400



N Power curve - 80/1269/CEE - ISO 1585 -

NB Power curve - ISO 3046/1 - IFN -

NA Power curve - ISO 3046/1 - ICXN -

MN Torque curve - (N curve)

MB (B curve - **MA** (A curve)

C Specific fuel consumption - (NB curve)

